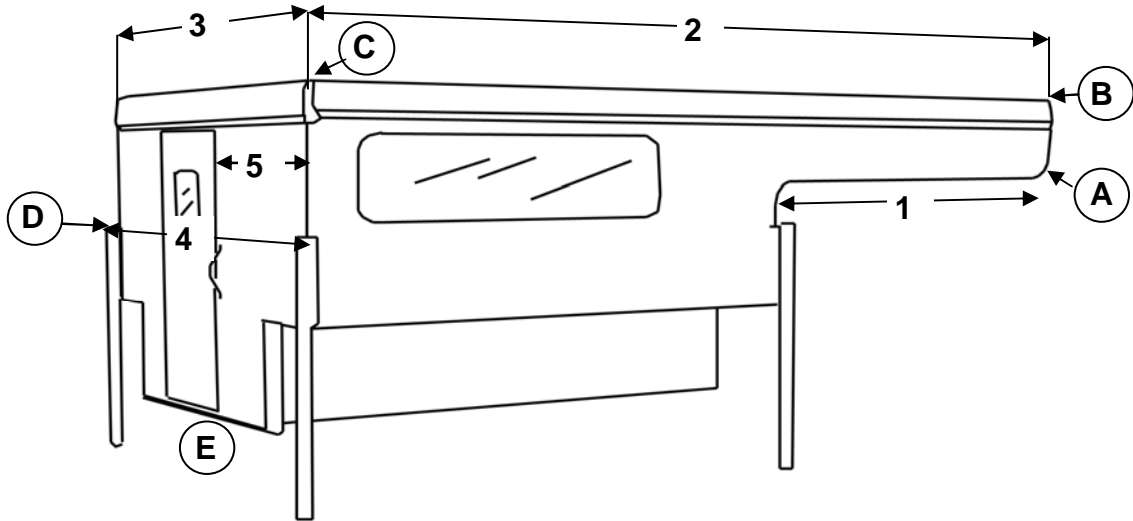




# DIMENSION SHEET - POP-UP TRUCK CAMPER



**Lengths - Measured Horizontally**

# 1 Length of cabover \_\_\_\_\_

# 2 Roof Length \_\_\_\_\_

**Widths, Measured Side to Side**

# 3 Width of camper body \_\_\_\_\_

# 4 Width at top of rear jacks \_\_\_\_\_

# 5 Distance from side to entry door \_\_\_\_\_

**Heights (from ground in stored position)**

A Height to bottom of cabover \_\_\_\_\_

B Height at front of roof \_\_\_\_\_

C Height at rear of roof \_\_\_\_\_

D Height at top of jacks \_\_\_\_\_

E Ground Clearance \_\_\_\_\_

**Camper Information**

1 Do you have any awnings? \_\_\_\_\_ How far does it extend out from the side (closed) \_\_\_\_\_

Location? \_\_\_\_\_

2 Do you have any other accessories \_\_\_\_\_ If yes, Please sketch in dimensions

**NOTES:**

---

---

---

---

---

---

---

---

---

---

A photo of the camper will help us make the pattern. The photo can be returned if requested.

YEAR \_\_\_\_\_ NAME \_\_\_\_\_

MAKE \_\_\_\_\_ Daytime phone \_\_\_\_\_

MODEL \_\_\_\_\_ Date of order \_\_\_\_\_

FLOOR PLAN \_\_\_\_\_